

TMC-20

Stationary Converter for Full Pipe Flow Meter Sensors



The TMC-20 is a stationary converter for full pipe sensors. It is either AC or DC powered. When combined with the TORPEE-MAG sensor the TMC-20 with its 4-20 mA and contact closure outputs becomes a powerful full pipe flowmeter and data reporting system. A Modbus RTU output is available as an option.

The TMC-20 provides users with a reliable solution for full pipe stationary flow monitoring applications. The standard model includes: an IP67 aluminum enclosure; a 3-key numerical keypad; a graphical backlit LCD display, 100-240 VAC or 12-48 VDC power supply, two 0/4-20/22 mA outputs and two Pulses/Alarm outputs.

Technical Specifications

Supported Sensor

TORPEE-MAG 1.5" & 2" bi-directional

Enclosure

Material Black painted aluminum die casting
Protection rate IP67 (IP68 on request)
Dimensions 167 x 114 x 200 mm (W x D x H)
(6.57" x 4.48" x 7.87")
Weight 2.3 kg (5.07 lb)

General Attributes

Programming USB port for connection to PC
Serial interface RS485 (optional)
Display Graphic display 128x64 pixels back light,
3 programming keys
Data logger MicroSD Memory Card 4 to 32 Gb (opt.)
Data storage Values storing system in case of power failure
Full scale value ± 0 to 10 m/s (± 0 ft to 32.8 ft/s)
Galvanic isolation All the inputs/outputs are galvanically isolated from power supply up to 250 V
Bi-directional YES
Diagnostic function YES
Empty pipe detection YES
CE certification YES

Outputs/Inputs

Pulse/Alarm output 2 digital outputs, 1250Hz, 100mA, 30Vdc
Analog output 2 Analog outputs 0/4 to 20/22 mA
Digital input One programmable function (totalizer reset)
Serial output Modbus RTU

Measurements Tolerance

Flow rate (volume) $\pm 0.05\%$ r.v.
Out 4-20 mA $\pm 0.08\%$ r.v.
Frequency out $\pm 0.08\%$ r.v.

Power Supply

AC 100 to 240 VAC 44/66 Hz
DC 12 to 48 VDC

AC or DC must be specified at order

Ambient Conditions

Operating temp. -20°C to $+60^{\circ}\text{C}$ (-4°F to $+140^{\circ}\text{F}$)

Specifications are subject to change without notice
Updated: March 2020



www.flow-tronic.com

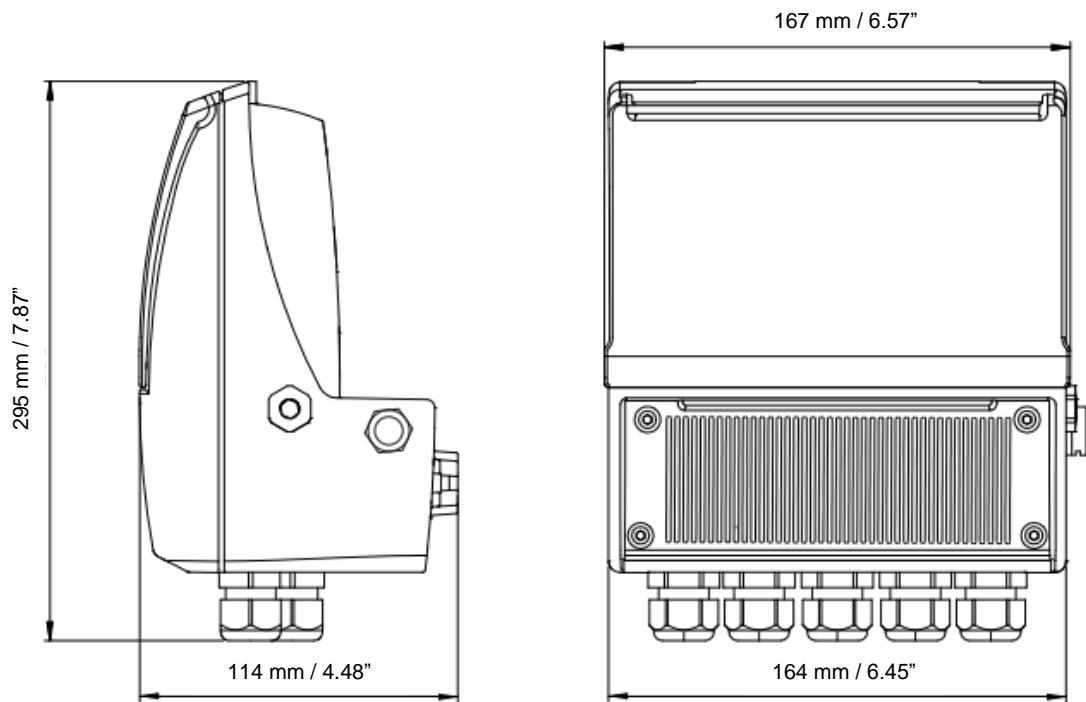
Chemin des Tilleuls 32 | B-4840 Welkenraedt | BELGIUM

Tel.: +32 (0)87 899 799

E-mail: info@flow-tronic.com

Dimensions of the TMC-20 Converter:

COMPACT VERSION



SEPARATE (WALL) VERSION

